



Raybar

Empowering **Clean Energy** with **Cutting-Edge Technology**



GRID TIE INVERTERS

Single Phase | Three Phase

MADE IN INDIA

Eastman Introduction

Founded in 2006

Established in 2006, Eastman Auto & Power Limited is a well-known name in the field of solar energy, energy storage, and power electronics, boasting a USD 420 million revenue and a dedicated workforce of over 3,000 professionals. Building on the group's decades-long success and maintaining the trust of our partners, Mr. Jagdish Rai Singal ventured into the future of energy with Eastman Auto & Power Limited.

Today, the business spans over 50 countries across Asia, the Middle East, Europe, Africa, the Caribbean, Central America, North America, and South America, providing the world with cutting-edge products that have set new benchmarks in their respective segments. With products reaching more than 100 countries, we are driven by innovation to continually set industry standards, ensuring uninterrupted power supply for residential, commercial, and industrial applications.



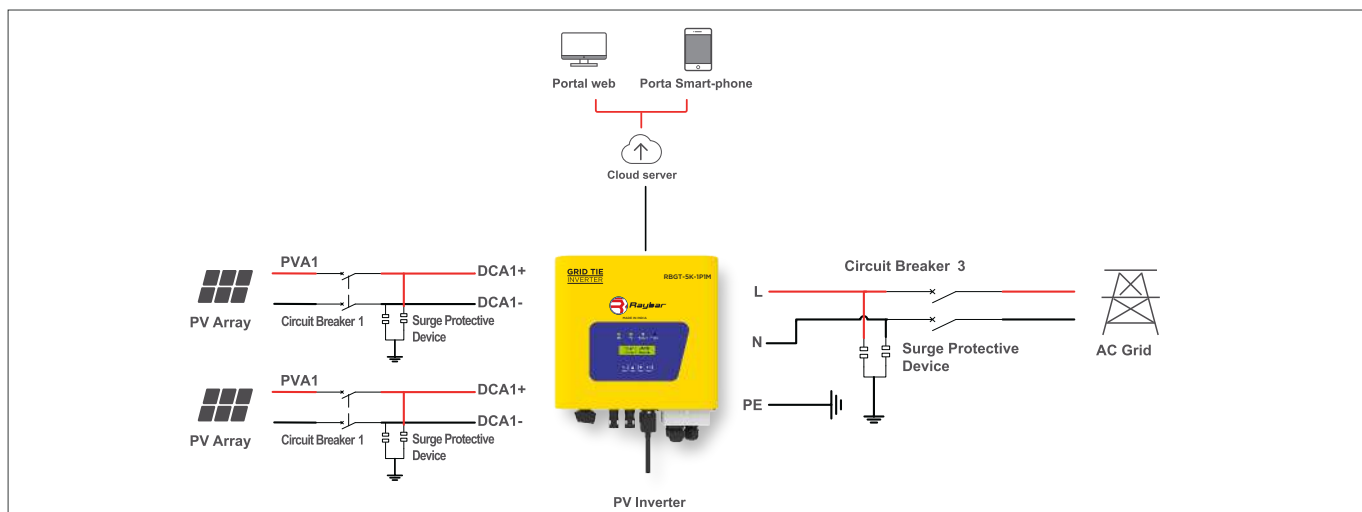
SOLAR PV INVERTER (ON-GRID) SINGLE PHASE 3 ~ 6 kW (Residential System)

The Raybar On-Grid PV Single-phase inverters are designed for residential PV system applications, rating from 3kW to 6kW. All models have unibody housings with aluminum structure which is anodized, increasing durability and effectively prevents corrosion. Equipped with external inductors, the unibody housings can ensure efficient heat dissipation, which significantly improves the reliability and extends the life of the inverters. The inverter menu is activated by sensor touch buttons. Communication can be done via the Wi-Fi module (can be changed to Ethernet / GPRS). Check the system status anytime and anywhere via online portal or APP.



- Max. Efficiency 97.5%
- Low startup DC voltage
- Max. DC overloading 30%
- Wide AC voltage range
- Type-II SPD Enabled AC and DC Side
- Raybar Solar App for Remote Monitoring 24x7
- Built in zero export function
- IP 65 Enclosure

System Diagram



SOLAR PV INVERTER (ON-GRID) SINGLE PHASE

3 ~ 6 kW

Product Specifications

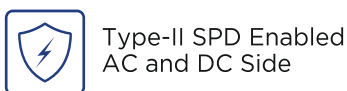
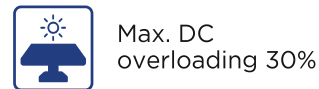
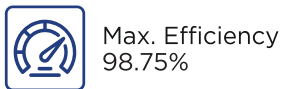
Model	RBGT-3K-1P1M	RBGT-3.6K-1P1M	RBGT-5K-1P1M	RBGT-6K-1P1M
Max Dc input power (kW)	3.9	4.7	7.5	9
Max DC input voltage	550VDC		600 VDC	
MPPT operating range	70-500		70-550	
Max DC Input Current	20		20	
Max Short Circuit Current	30		30	
No of MPP tracker	1		1	
No. of string per MPP tracker	1		2	
Start-up Voltage(V)	80VDC			
Output (AC)				
Rated output power (kW)	3	3.6	5	6
Max active power (kW)	3.3	3.96	5.5	6.6
Max apparent power (kVA)	3.3	3.96	5.5	6.6
Rated Output Voltage /Range	230VAC / 195.5 to 253 VAC			
Rated Grid Frequency/Range	50Hz(45Hz - 55Hz) / 60 * Hz(55Hz - 65Hz)			
Operating Phase	Single			
Rated AC Grid Output Current	13.1	15.7	21.8	26.1
Max.AC Output Current	14.4	17.3	24	28.7
Output power factor	0.8 lag to 0.8 lead			
THD Current	<3%			
Efficiency				
Max Efficiency	97.50%			
MPPT Efficiency	>99%			
Protection				
DC Reverse polarity protection	Yes			
AC Short Circuit Protection	Yes			
AC Output Overcurrent Protection	Yes			
Output Overvoltage Protection	Yes			
Insulation Resistance Protection	Yes			
Ground Fault Monitoring	Yes			
Anti-islanding Protection	Yes			
Temperature Protection	Yes			
Remote software upload	Yes			
Remote change of operating Parameters	Yes			
Surge protection level	DC Type II/AC Type II			
General Data				
Size mm	280Wx310Hx184D (Excluding Connectors and Brackets)		330Wx323Hx190D (Excluding Connectors and Brackets)	
Weight (Kg)	6.35		8	
Internal Consumption	<1W (Night)			
Operating Temperature	-25°C to 60°C, >45°C derating			
Ingress Protection	IP65			
Max. Operating Altitude without Derating	2000m			
Grid Connection Standard	IEC 61727, IEC 62116, CEI 0-21, EN50549, NRSO97, RD 140, UNE217002, G98, G99, VDE-AR-N4105			
Operating Surrounding Humidity	0-100%			
Safety EMC/standard	IEC/EN 61000-6-1/2/3/4, IEC/EN 62109-1, IEC/EN 62109-2			
Communication interface	RS485/Wi-Fi/LAN			
Permissible Altitude	2000 m			
Noise (dB)	35			
Ingress Protection (IP Rating)	IP65			
Inverter topology	Transformerless			
Overvoltage Category	OVC II (DC) / OVC III (AC)			
Type of Cooling	Natural Cooling			
Features				
Display	LCD16O2			
Interface	RS48S/Wi-Fi/LAN			

*Product Specification are subject to change without prior notice

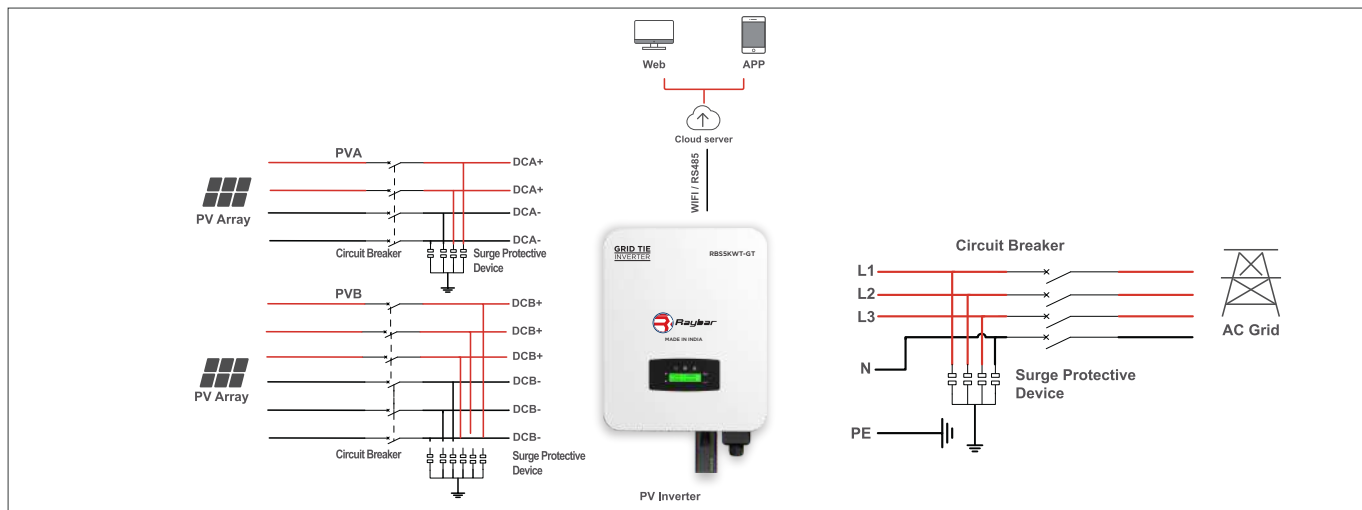
SOLAR PV INVERTER(ON-GRID) THREE PHASE 5~ 20 kW (Residential & commercial)

The Raybar Three-phase string inverters are designed for commercial and power plant PV system applications, rating from 10kW to 30kW. All models with aluminum housings which is anodized, increasing durability and effectively prevents corrosion. Equipped with external inductors, ensure efficient dissipation, which significantly improves the reliability and extends the life of the inverters.

The inverter menu is activated by sensor touch buttons. Communication implements are via the Wi-Fi module (can be changed to Ethernet / GPRS). Check the system status anytime and anywhere via online portal APP.



System Diagram



SOLAR PV INVERTER (ON-GRID) THREE PHASE

5 ~ 20 kW

Product Specifications

Model	RBS5KWT-GT	RBS8KWT-GT	RBS10KWT-GT	RBS15KWT-GT	RBS20KWT-GT
Max Dc input power (kW)	7.5	12	15	22.5	30
Max DC input voltage	1100VDC				
MPPT operating range	150-1000VDC				
Max DC Input Current	2x15A		20A + 32A		2x32A
Max Short Circuit Current	2x25A		30A + 48A		2x48A
No of MPP tracker	2				2
No. of string per MPP tracker	2		3		4
Start-up Voltage (V)	150VDC				
Output (AC)					
Rated output power (kW)	5	8	10	15	20
Max active power (kW)	5.5	8.8	11	16.5	22
Max apprent power (kVA)	5.5	8.8	11	16.5	22
Rated Output Voltage/Range	380VAC(Ph-Ph) / 280-490 VAC (Ph-Ph)				
Rated Grid Frequency/Range	50/60Hz (45-55Hz/55-65Hz)				
Operating Phase	3P+N+PE				
Max.AC Output Current	8.5	13.5	17	27	32
Output power factor	1 default (adjustable from 0.8 leading to 0.8 lagging)				
Harmonics	<3%				<3%
Efficiency					
Max Efficiency	98.30%	98.30%	98.70%	98.70%	98.75%
MPPTEfficiency	99.90%				
Equipment Protection					
DC Reverse polarity protection	Yes				
Integrated DC switch	Yes				
Surge Protection	Integrated (Type II)				
Residual Current Detection	Yes				
PV Insulation Resistance Detection	Yes				
Residual Current Protection	Yes				
Inverter topology	Transformerless				
Ingress Protection (IP Rating)	IP65				
Communication	RS485/Wifi/LAN				
General Data					
Operating Temperature Range (°C)	-25 to +60				
Permissible Ambient Humidity	0-100%				
Permissible Altitude (m)	4000m				
Noise (dB)	<30 dB			<40 dB	
Cabinet Size W*H*D [mm]	370 x 510 x 167 (Excluding connectors and brackets)	370 x 510 x 192 (Excluding connectors and brackets)		370 x 510 x 192 (Excluding connectors and brackets)	370 x 535 x 192 (Excluding connectors and brackets)
Weight [kg]	16	16	16	17	19
Type of Cooling	Natural cooling			Intelligent air cooling	
Grid Regulation	IEC 61727, IEC 62116.CEI 0-21, EN 50549, NRS 097, RD 140,UNE 217002, OVE-Richtlinie R25, G99, VDE-AR-N 4105				

*Product Specification are subject to change without prior notice



www.eastmanworld.com
marketing@eastmanworld.com

AMPS MIDDLE EAST FZ LLC

#703, 7th Floor, Deira Twin Tower,
Baniyas Square, Deira, Dubai (UAE)

EASTMAN AUTO & POWER LTD.

572, Udyog Vihar, Phase - V, Gurugram,
Haryana - 122016, India, Tel. : +91-124-4682650

EASTMAN POWER TECHNOLOGIES PVT. LTD.

A-5, Mangolpuri Industrial Area, Phase-II,
Pocket A, Delhi-110034, India

Follow us on »  @eastman_world  @EastmanWorld  @EastmanWorld